

Quick Start Guide

Before installing and operating the unit, please read this manual thoroughly and keep it for future reference.

BR3509-2016-A

About the manual

This manual provides the instructions for the quick installation and basic configuration of your IP device. For more detailed information about the configuration, refer to the device's user manual.

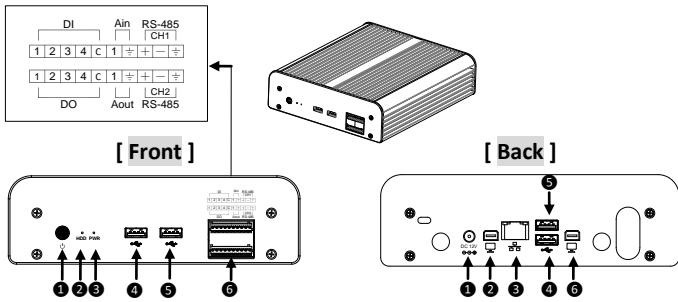
Caution



Do not touch the device during the operation as the surface may be hot.

Part names and functions

Please check the name and the position of each part by referring to the following image.



[Front]

1 Power Button: Pressing the button turns on the device when the DC12V power is connected to the device.

2 HDD status LED: The LED blinks orange when the hard disk drive is accessed for Read/Write.

3 Power status LED: The blue light indicates whether the device is powered on.

4 5 USB port 1&2: Connector for an external device such as a USB stick or mouse

6 Terminal Connector: Terminal connector for four digital inputs/outputs, one audio input/output and two of RS-485

[Back]

1 DC12V power connector: Connector for DC12V power supply

2 3 Mini DisplayPort 1&2: Connector for a monitor

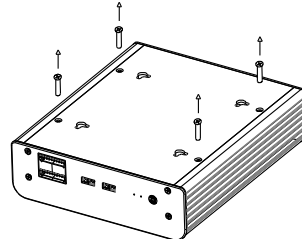
4 Ethernet port: RJ45 LAN connector for 10/100Base-T Ethernet

5 6 USB port 3&4: Connector for an external device such as a USB stick or mouse

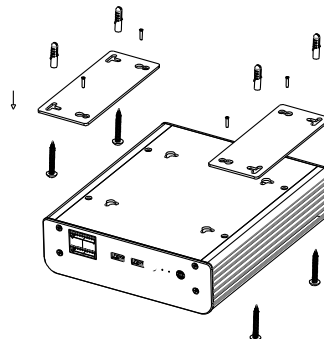
Installation

There are three types of installation: Wall mount with brackets, free standing with spacers, and outdoor installation within a box.

[Wall Mount]



Step1) Unscrew all the bolts on the bottom of the device.

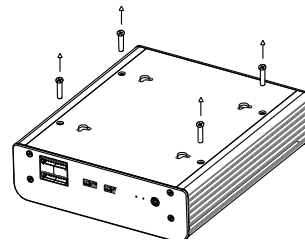


Step2) Insert each bracket (included) to the loosened bolts on both sides of the bottom by referring to the image on the left, and tighten them to fix the brackets to the device.

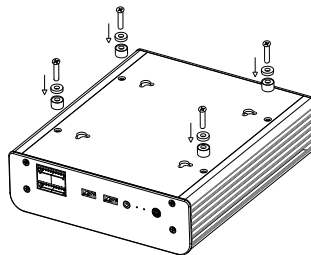
Step3) Drill four holes on the wall based on the holes' locations on the fixed brackets, and insert the plastic anchors tightly into the holes.

Step4) Fix the device to the wall with the M4x20 bolts (included) by inserting the bolts into the bracket's holes and tightening them through the plastic anchors.

[Free Standing]



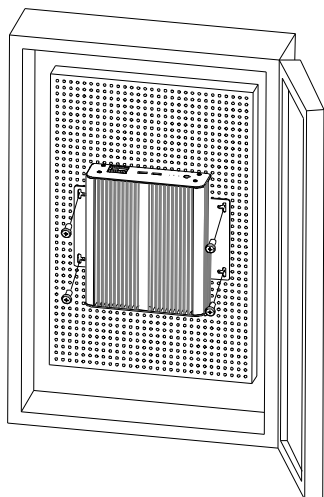
Step1) Loosen all the bolts on the bottom of the device, and take them out.



Step2) Insert each rubber washer (included) and spacer (included) to the 6x32UNCx12 bolts (included), and tighten the bolts firmly to the bottom of the device. Then, the spacers supported by the bolts will be used as the feet of the device for free standing.

[Outdoor Application]

The installation below is for outdoor applications with protection from rain, dust and etc.



Step1) Place the device to the breadboard in the box.

*Box and breadboard are not included in the package.

Step2) Insert the M4x10 bolts (included) to the holes on the breadboard through the holes on the device's brackets, and tighten the bolts firmly.

NOTE

For the stable attachment of the device, at least three parts of the bracket's holes need to be fixed with the bolts.

(The default user name and the password are **admin** and **admin**.)

To learn how to set up VCA configuration, refer to the device's online user manual, available from support.vcatechnology.com

[Cable Connection]

- Connect a monitor to the device by using the Mini DisplayPort with a corresponding connector for the monitor type.
- Connect the power adaptor to the device.
- Connect an RJ45 LAN cable from a network switch to the device.
- Connect cables for digital inputs, digital outputs, audio input, audio output and RS-485 if they are required by referring to the device user manual.

Setting up network environment

The default IP address of the device is automatically assigned by a DHCP server when the device is connected to a network. If a DHCP server fails to assign an IP address, the device will be given the static IP address, 192.168.10.10.

To discover and change the IP address of devices on the network, use the device discovery tool, which is available for download from support.vcatechnology.com.

CAUTION

DHCP server failure & static IP address (192.168.10.10)

- In case you want to use multiple numbers of this device on the same network, you need to be careful about the IP conflicts. To avoid IP conflicts among the devices, please connect only a single device at a time to the network, change the IP address, and repeat the process for the rest of the units one by one.

Port Number

The port number for web access is 80.

Web Browser

The supported web browser is Google Chrome.

Viewing video on web page

When the device completes booting, the device's IP address can be discovered using the device discovery tool (available from support.vcatechnology.com), or displayed on a monitor connected to the Mini DisplayPort. Enter the IP address in a Chrome browser to access the configuration webpage.

e.g.) <http://10.10.0.68>

SETUP page

To set up the device configuration:

1) Enter the user name and the password when the login page is displayed. Then, click the OK button.